



**ingenieurbüro
schönenberger**

Dosieranlagen für die Betonindustrie

Ingenieurbüro Schönenberger AG
Trockenloostrasse 101
CH-8105 Regensdorf
Tel. +41 44 839 30 10
Fax +41 44 839 30 19
www.dostec.ch
info@dostec.ch
CH-111.725.088 MWST

Schoenenberger-Engineering for customer projects:

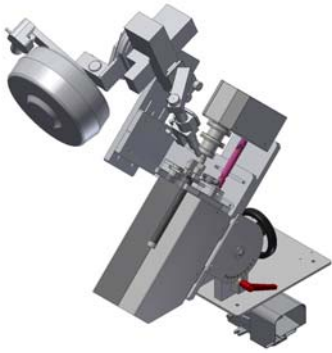
Benefit from our vast experience in project-engineering as well as in specific R&D projects!

We will gladly aid our customers with project-engineering as well as specific research and development projects.

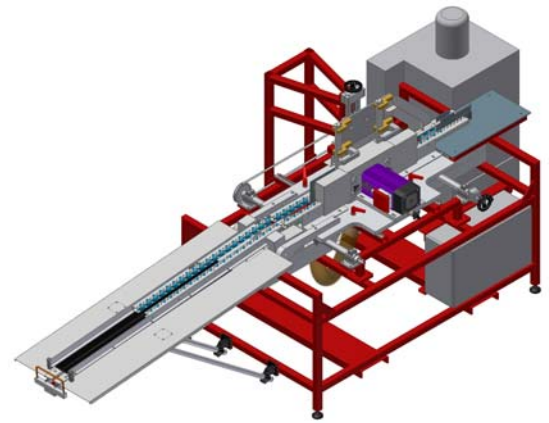
Planning, engineering and manufacturing capacity is available for small and large projects.

Check us out; we will make you an offer.

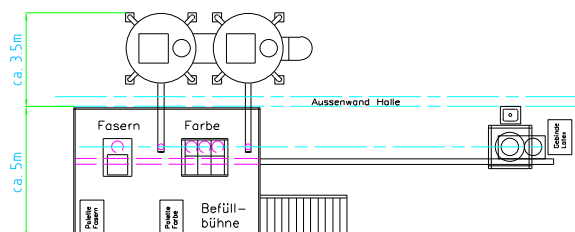
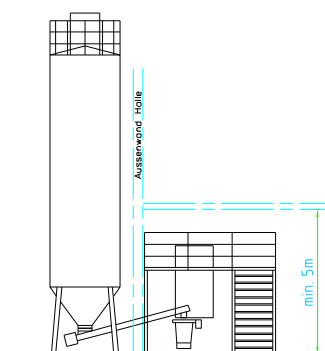
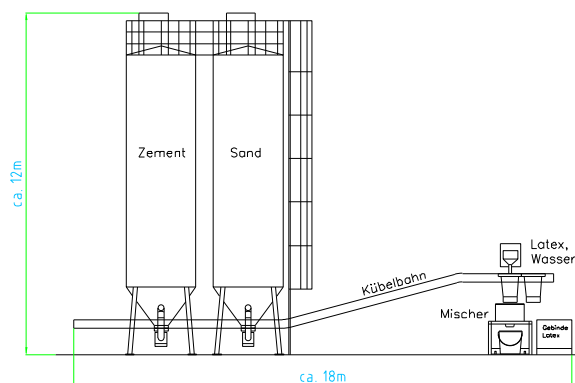
Examples:



Welding machine



Grinding machine



Änderungen
vorbehalten!

VERTRAULICH!

Production line for special type concrete in small batches